

Product Catalogue (20-21)



Centurion
UNIVERSITY



www.gramtarang.org.in

Wood Engineering Learning Lab

Started in 2016

Centurion University has consistently spearheaded the conceptualisation, navigation and implementation of skill integration, vocationalization of education and capacity building for youth living in difficult geographies, who are bereft of educational and economic opportunities.

The journey started in 2006 when skill training was almost non-existent in the context of higher education in India. The founders of the University, Prof Mukti Mishra and Prof DN Rao, realized that in areas such as Gajapati, which was a LWEA (Left Wing Extremist Area) district, skill training and vocational education could address the poverty and frustration of youth and result in economically gainful employment/self-employment.

In 2010, Centurion University initiated the introduction of Centurion Vocational Qualification Framework (CVQF) format, which recognized prior learning experience and allowed it to be converted to credits that result in vertical movement in formal education system.

In 2017, the Odisha Government notified Centurion University as a "Skill University", one of the first few in the country.

In 2019, Centurion University was declared as Centre of Excellence by Government of India. Centurion is the only University to achieve this distinction.



Woodwork learning lab is one of the leading furniture manufacturing lab in Odisha today, providing complete furniture solutions for all segments through its strong manufacturing base. Our expertise lies in extremely innovative and cost effective customized office furniture, modular work stations, students desks, conference tables, chairs, educational, laboratory retail furniture.



Some of our Setups

Future Nexus 4.0

Location: Bhubaneswar

Project Cost: ₹ 8.5 Lacs

Project Area: 2500 sq.ft

Project Completed: 18 Days

Material Used: Steel Structure, Plywood,
Laminate Sheet, Veneers,
Clear Toughened Glass,
and Decorative Lights

Some of our Setups

Optometry Lab

Location: Bhubaneswar
Scope: Complete Interior & Lab. Furniture
Project Cost: ₹ 6.3 Lacs
Project Area: 3000 sq.ft
Project Completed: 21 Days

Material Used: MS Structure, Plywood, Laminate Sheet and Toughened Glass





Centurion
UNIVERSITY



www.grantarang.org.in



Some of our Setups

Conference Room with 3D Wall

Location: Bhubaneswar
Scope: Conference Room with 3D Wall
Project Cost: ₹ 3.6 Lacs
Project Area: 1200 sq.ft
Project Completed: 15 Days

Material Used: Plywood, Laminate Sheet,
Vineers, Wood Panels and
Decorative Light



Some of our Setups

Accounts Department

Location: Bhubaneswar
Scope: Conference Room with 3D Wall
Project Cost: ₹ 5.4 Lacs
Project Area: 1225 sq.ft
Project Completed: 14 Days

Material Used: Steel Structure, Plywood, Laminate Sheet, Vineer, Toughened Glass and Decorative Lights





Centurion
UNIVERSITY



www.gramtarang.org.in



Some of our Setups

Central Library

Location:	Paralakhemundi, Gajapati
Scope:	Conference Room with 3D Wall
Project Cost:	₹ 8.6 Lacs
Project Area:	4200 sq.ft
Project Completed:	45 Days

Material Used: Steel Structure, Plywood, Laminate Sheet and All Designs

Some of our Setups

Dassult Lab

Location: Amaravati, AP
Scope: Complete Office Setup
Project Cost: ₹ 9.2 Lacs
Project Area: 2400 sq.ft
Project Completed: 20 Days

Material Used: Steel, Pre-Lam MDF Board,
Plywood





www.gramtarang.org.in



Some of our Setups

Pharmaceutical Lab

Location:	Jatni, Rayagada, Bolangir, Balasore
Scope:	Complete Lab. Setup including Furniture
Project Cost:	₹ 9.2 Lacs / Lab
Project Area:	2400 sq.ft
Project Completed:	20 Days
Material Used:	Steel, Pre-Lam MDF Board, Plywood and Accessories

Some of our Setups

Apparel Manufacturing Lab

Location: Bhubaneswar
Scope: Complete Lab. Setup including Furniture
Project Cost: ₹ 10 Lacs / Lab
Project Area: 12600 sq.ft
Project Completed: 20 Days

Material Used: Steel, Pre-Lam Board, and Accessories





Some of our Setups

Center for Innovators

Location:	Bhubaneswar
Scope:	Complete Office Setup including Furniture
Project Cost:	₹ 4 Lacs
Project Area:	2400 sq.ft
Project Completed:	20 Days
Material Used:	Steel, Pre-Lam Board, and Accessories



Some of our Setups

Examination Cell

Location: Bhubaneswar
Scope: Complete Office Setup including Furniture
Project Cost: ₹ 5.5 Lacs
Project Area: 2500 sq.ft
Project Completed: 30 Days

Material Used: Steel, Pre-Lam Board, Veneer and Accessories





Centurion
UNIVERSITY



www.gramtarang.org.in



Some of our Setups

GTET Head Quarter

Location:	Bhubaneswar
Scope:	Complete Office Setup including Furniture
Project Cost:	₹ 20 Lacs
Project Area:	4300 sq.ft
Project Completed:	90 Days

Material Used: Steel, Pre-Lam Board, Veneer,
Pine wood and Accessories

Some of our Setups

Placement Office

Location: Bhubaneswar
Scope: Complete Office Setup including Furniture
Project Cost: ₹ 3.5 Lacs
Project Area: 1200 sq.ft
Project Completed: 20 Days

Material Used: Steel, Pre-Lam Board, Veneer, Pine wood and Accessories



Centurion
UNIVERSITY



www.grantnet.org.in





Centurion
UNIVERSITY



www.grantarang.org.in



Some of our Setups

Model Classroom

Location:	Bhubaneswar
Scope:	Complete Classroom Setup including Furniture
Project Cost:	₹ 3.5 Lacs
Project Area:	1200 sq.ft
Project Completed:	14 Days
Material Used:	Steel, Pre-Lam Board, Pine wood and Accessories

Customized Domestic Furniture



Wooden Podium (Ex. Fac. Price ₹ 18,000/-)



Wooden Antique Drawer Board (Ex. Fac. Price ₹ 12,500/-)



Pinewood Chair (Ex. Fac. Price ₹ 3,500/-)



Modular Puja Cabinet (Ex. Fac. Price ₹ 13,000/-)



Pinewood Bed (Ex. Fac. Price ₹ 11,000/-)



Sheesham Chair (Ex. Fac. Price ₹ 5,300/-)



Pinewood Dining Set, 6 seater (Ex. Fac. Price ₹ 32,000/-)



Revolving Dining Set, 8 seater (Ex. Fac. Price ₹ 45,000/-)



Pinewood Stand (Ex. Fac. Price ₹ 550/-)



Adjustable Laptop Stand
(Ex. Fac. Price ₹ 8,000/-)



Modular King Size Bed (Ex. Fac. Price ₹ 43,000/-)

Customized Domestic Furniture



Coffee Table (Ex. Fac. Price ₹ 11,000/-)



Modular Sofa (Ex. Fac. Price ₹ 8,500/-)



Pinewood Chair (Ex. Fac. Price ₹ 4,300/-)



Wooden Office Chair (Ex. Fac. Price ₹ 7,000/-)



Sheesham Shoe Rack (Ex. Fac. Price ₹ 22,000/-)



Bunai Sofa Set (Ex. Fac. Price ₹ 26,000/-)



Executive Table (Ex. Fac. Price ₹ 8,500/-)



Wooden Chair (Ex. Fac. Price ₹ 4,800/-)



Modular Queen Size Bed With Side Table (Ex. Fac. Price ₹ 39,000/-)

Customized Domestic Furniture



Modular Show Case (Ex. Fac. Price ₹ 12,500/-)



Wooden Podium (Ex. Fac. Price ₹ 20,000/-)



Modular Cupboard (Ex. Fac. Price ₹ 7,500/-)



Modular Tea Table (Ex. Fac. Price ₹ 6,500/-)



Modular Sofa (Ex. Fac. Price ₹ 8,500/-)



Wooden Pet House (Ex. Fac. Price ₹ 30,000/-)



Dual Desk Bench (Ex. Fac. Price ₹ 4,200/-)



Dual Desk Bench (Ex. Fac. Price ₹ 4,200/-)



Modular Cupboard (Ex. Fac. Price ₹ 5,600/-)



Dual Desk Bench (Ex. Fac. Price ₹ 4,200/-)



Executive Table (Ex. Fac. Price ₹ 8,500/-)

Industrial Furniture



16 feet Cutting Table (Ex. Fac. Price ₹ 14,000/-)



16 feet Cutting Table (Ex. Fac. Price ₹ 14,000/-)



Inspection Table (Ex. Fac. Price ₹ 16,500/-)



16 feet Cutting Table (Ex. Fac. Price ₹ 14,000/-)



MS Frame Tile Table (Ex. Fac. Price ₹ 3,800/-)



MS Frame Tile Table (Ex. Fac. Price ₹ 3,800/-)



Mini Conference Table (Ex. Fac. Price ₹ 10,500/-)



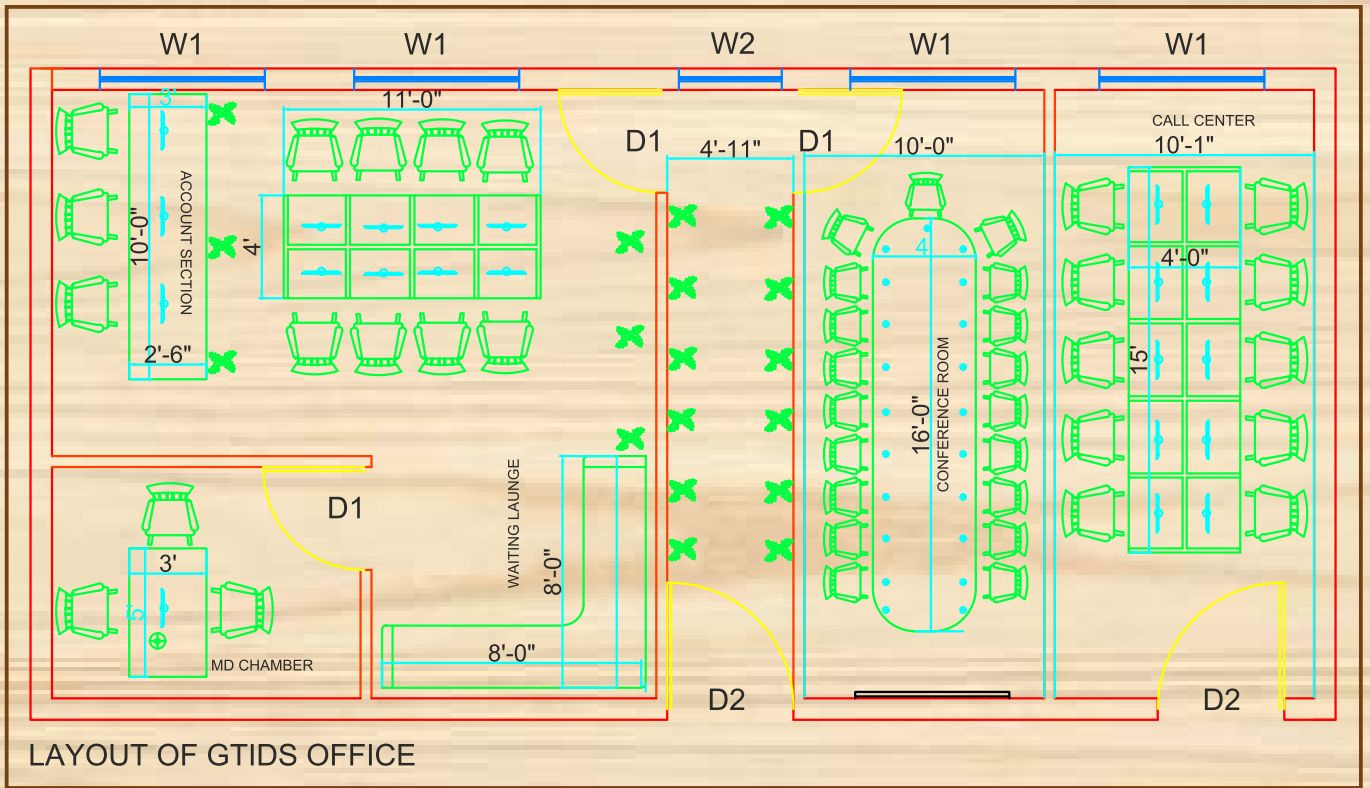
Executive Table (Ex. Fac. Price ₹ 9,600/-)



Ongoing Projects

GTIDS, AP

Location: Vizianagaram
Scope: Complete Office Setup including Furniture
Project Cost: ₹ 5 Lacs
Project Area: 2500 sq.ft
Project Completed: 20 Days
Material Used: Steel, Pre-Lam Board, Vineer, Pine wood and Accessories



Concept & CAD Drawing



Centurion
UNIVERSITY



www.grantarang.org.in



Ongoing Projects

GTIDS, AP

Location: Vizianagaram
Scope: Complete Office Setup
including Furniture
Project Cost: ₹ 5 Lacs
Project Area: 2500 sq.ft
Project Completed: 20 Days

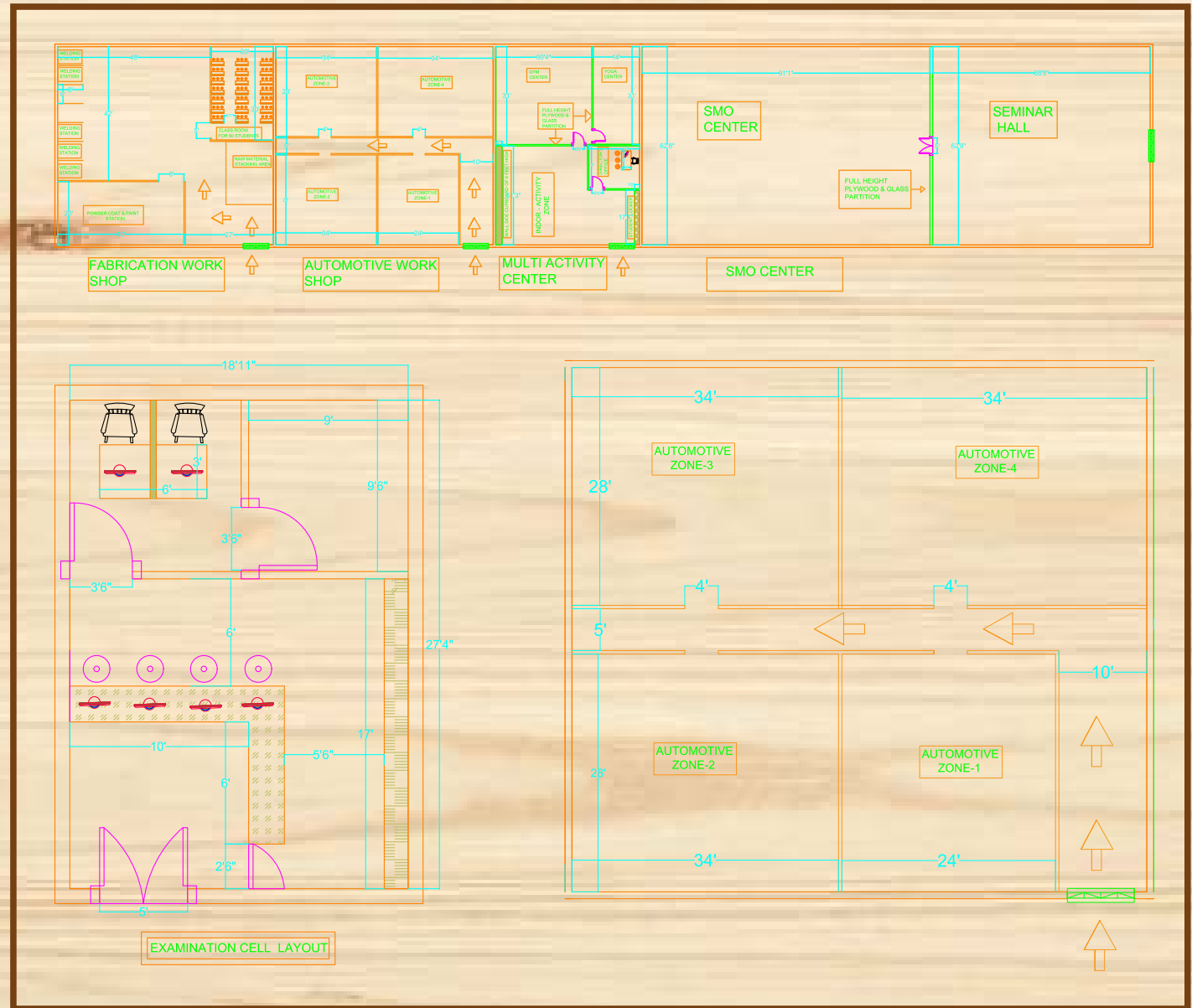
Material Used: Steel, Pre-Lam Board, Veneer,
Pine wood and Accessories

Actual Picture at Site

Ongoing Projects

CUTM, AP

Location: Vizianagaram
Scope: Complete Office and Lab Setup including Furniture
Project Cost: ₹ 40 Lacs
Project Area: 20,000 sq.ft
Project Completed: 60 Days
Material Used: Steel, Pre-Lam Board, Viner, Pine wood and Accessories



CAD Design



Centurion
UNIVERSITY



www.gramtarang.org.in



Ongoing Projects

CUTM, AP

Location: Vizianagaram
Scope: Complete Office and Lab Setup including Furniture
Project Cost: ₹ 40 Lacs
Project Area: 20,000 sq.ft
Project Completed: 60 Days

Material Used: Steel, Pre-Lam Board, Veneer, Pine wood and Accessories

Actual Picture at Site

Ongoing Projects

Spa & Wellness Center

Location: Vizianagaram
Scope: Interior
Project Cost: ₹ 3.5 Lacs
Project Area: 2700 sq.ft
Project Completed: 15 Days

Material Used: Steel, Pre-Lam Board, Veneer,
Pine wood and Accessories



Concept Pictures



Centurion
UNIVERSITY



www.gramtarang.org.in



Some of our Designs

Some of our Designs





Automatic Sander



Corner Moulding



4 - Axis CNC



Band Saw



Edge Sander



Mortise Machine

Wood Working Machine



Tilting Spindle Moulder



Thickness Planer



Multi Boring Machine



Sliding Table Panel Saw



Roller Press



Stroke Sander

Some of Valuable Clients



Diversified Energy Solutions Pvt. Ltd
Getting Involved to Resolve



Quality Certification

QUALITY MANAGEMENT SYSTEM

Certificate of Registration



This is to Certify That The Quality Management System of
**GRAM TARANG EMPLOYABILITY TRAINING
SERVICES PVT. LTD.**

CENTURION UNIVERSITY CAMPUS 136 & 137, RAMACHANDRAPUR,
PO: JATNI, KHORDHA, ODISHA-752050, INDIA.
CENTURION UNIVERSITY CAMPUS, PARALAKHEMUNDI ALLURI NAGAR,
R. SITAPUR, PARALAKHEMUNDI, ODISHA-761211
PLOT NO: 525 & 526 MOUZA: PAIKASTA, PO: GOPALPUR, BLOCK: BAHANAGA,
DIST: BALASORE, ODISHA-756044, INDIA.

has been assessed and found to conform to the requirements of

ISO 9001:2015

for the following scope :

"PROVISION FOR MANUFACTURING OF TOOLS, DIES, MACHINING OF
PRECISION COMPONENTS, CONDUCTING VOCATIONAL AND SKILL
UPGRADATION TRAINING PROGRAMMES, MANUFACTURING &
REPAIRING OF TRANSFORMERS, MANUFACTURING OF GARMENT,
APPARELS & TEXTILS, MANUFACTURING OF WOODEN FURNITURES"

Certificate No.	20DQHQ22		
Initial Registration	: 05/10/2020	Issuance Date	: 05/10/2020
Date of Expiry*	: 04/10/2023		
1st Surve. Due	: 05/09/2021	2nd Surve. Due	: 05/09/2022

DIRECTOR

ROHS Certification Pvt. Ltd.

401, Knowledge Building, 35, Vastra Place, New Delhi - 110 015, India
Phone : +9111 41523222 | e-mail : info@rohs-certification.co.in | website : www.rohs-certification.co.in
The Registration is not a Product Quality Certificate. *Subject to successful completion of surveillance audits. Visit for registration at www.rohs-certification.co.in
Certificate is the property of ROHS and returns when demanded



Contact Details



Parthasarathi Mohanty



99370 33338



70089 87144



parthasarathi.mohanty@gramtarang.org.in



www.gramtarang.org.in



Plot No.: 136/137 | Ramchandrapur
Jatni | Khordha | 752050