



WORKSHOP

on

3D EXPERIENCE (CATIA)

Date: 18th May-9th June, 2021

Resource Person:

N Laxmidhar Reddy

Project Executive

Department of Future Nexus LAB.

No. of Participants: 28

About the Session:

The session gives a brief on the lesson the user will not complete any one project but will be introduced to a lot of CATIA V5 tools and concepts. These tools and concepts are the ones that are required to successfully navigate around the CATIA V5 environment. Gaining a firm understanding of these tools and concepts will be critical for successfully completing all the other lessons in this Session.

Objectives:

The main objective of this Session is to present the necessary tools and concepts for the user to successfully navigate the CATIA V5 environment. Some things in this session are covered in general terms while others are covered in detail. The user is expected to learn and understand each item as presented in the session. Tools and concepts that are briefly introduced in this session lay the foundation for gaining deeper knowledge in sessions. Another purpose of the general introduction is to present the user with enough information to promote the self-discovery of CATIA V5. The user will know the following:

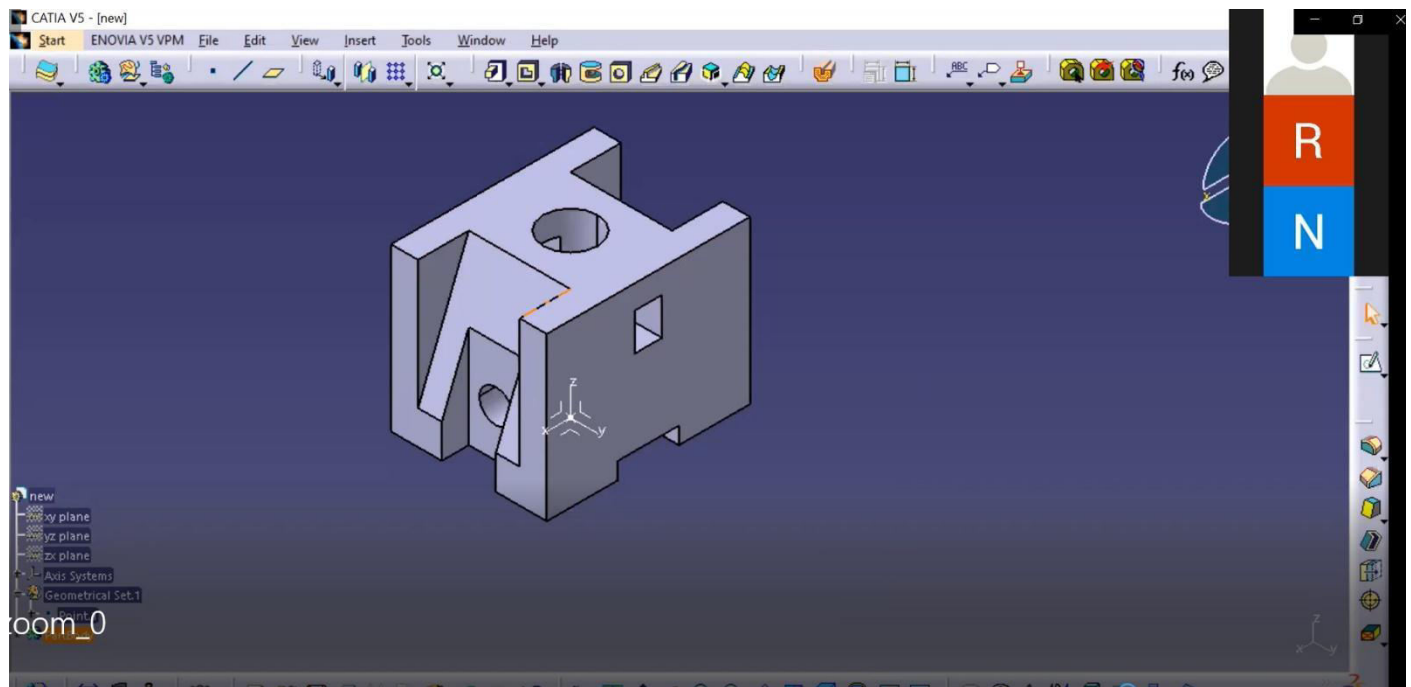
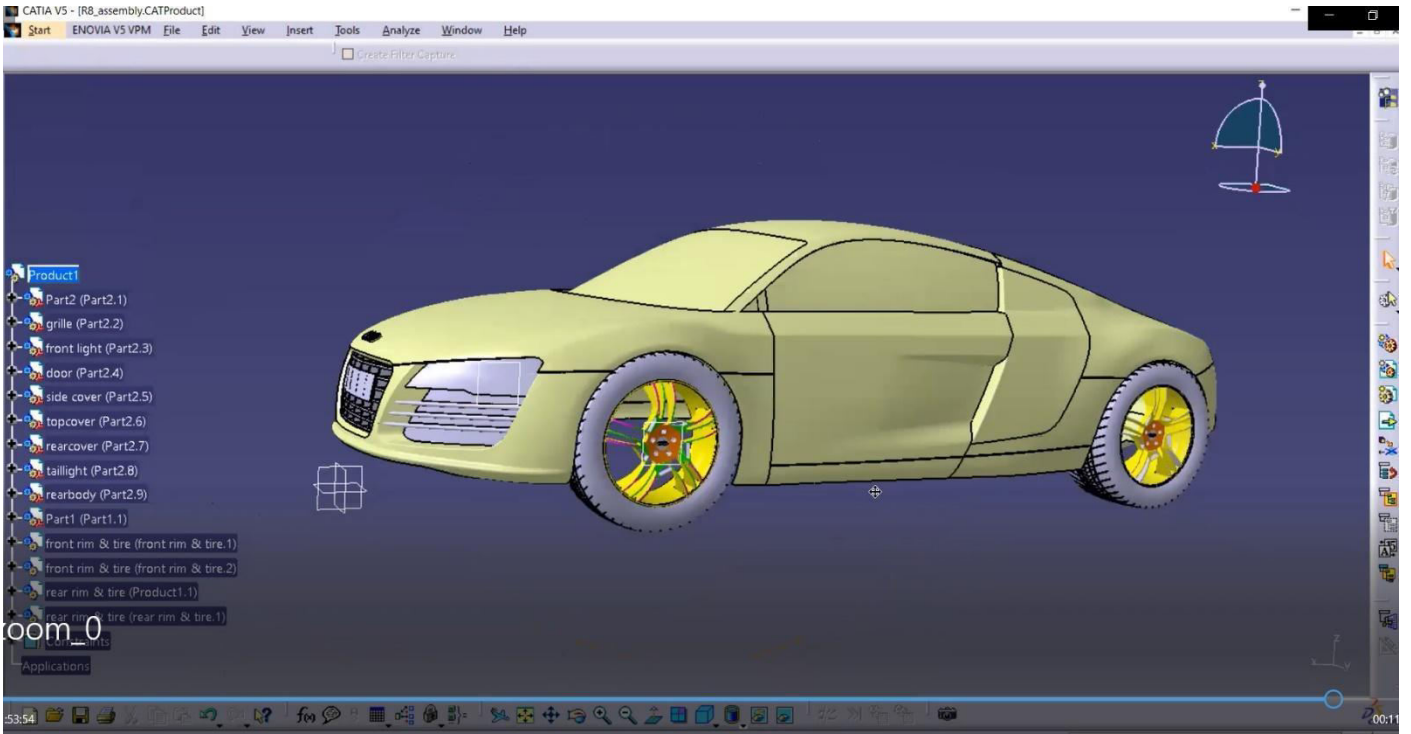
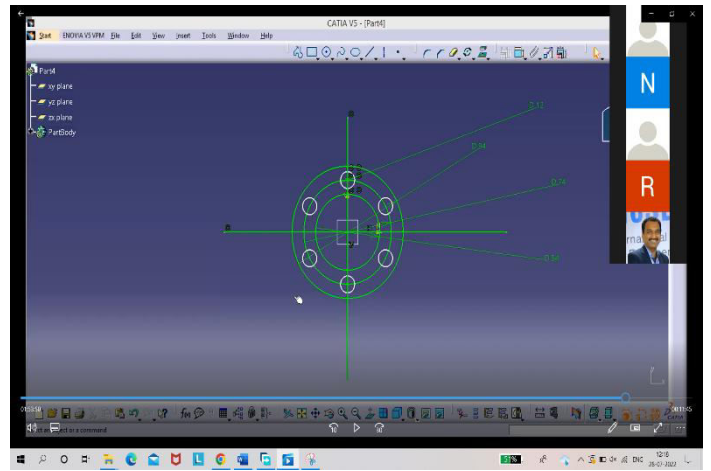
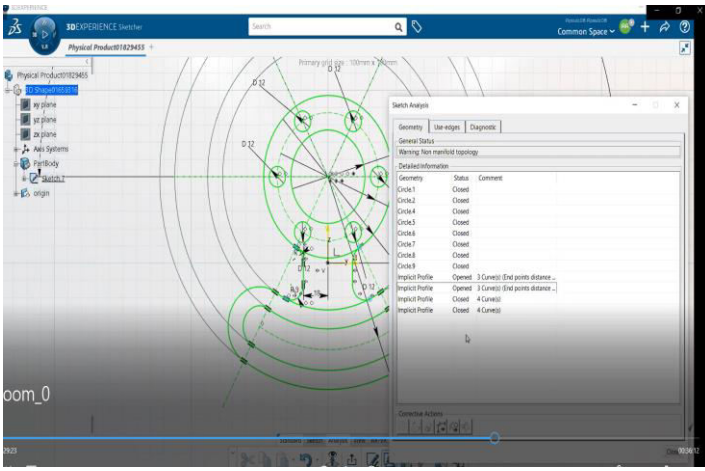
- To introduce Part Design.
- To introduce Generative Shape Design.
- To introduce Assembly Design.
- To introduce Mechanical System Design.
- To introduce Drafting.
- To introduce Live Rendering.

Outcome:

You will learn advanced solutions for conceptual design, 3D modelling, and documentation.

You will learn to do product design, industrial design and styling (optimize form, fit, function and user experience), streamline 2D design, drafting, documentation with powerful tools for layout, drawing, and 3D annotation You will do assembly design, sheet metal design, and template-based design.

You will learn to create realistic renderings of the CAD model and allowing you to create textures for materials from the scratch, modified from imported digital images or selected from the included library.





Centurion
UNIVERSITY



WEBINAR ON

3D Experience (Catia)

Organized by :

Centurion University of Technology and
Management

Resource Person

N Laxmidhar Reddy

Project Executive

Department of Future Nexus LAB.

Date: - 18th May 2021

centurion university of technology and management
Shaping Lives... Empowering Communities...

PARTICIPANT LIST

1	Mr. Narayan Gouda	School of Applied Sciences
2	Dr. Mohammad Aamir Pasha	School of Media and Communication
3	Mrs.Subhadarshani Satapathy	SOVET
4	Mr. Sadat Ali	SOVET
5	Mr. Sibaram Mohapatro	SOVET
6	Mr. Chittaranjan Dighal	SOVET
7	Mr. Sunil Panda	SOVET
8	Mr. Laxmidhar Behera	SOVET
9	Mrs. Suvechha Hota	SOVET
10	Mr. Kula bhusan Pradhan	SOVET
11	Mr. Madhava Rao K	SOET
12	Mr. Sujit Mishra	SOET
13	Mr. Rajib Kumar Majhi	SOET
14	Mr. M. Vignesh	SOET
15	Dr. Pendurthy Anthony Sunny Dayal	SOET
16	Mr. Dillip Mohanta	SOET
17	Mr. Santanu kumar Sutar	SOET
18	Mr. Sanjeeb Pattnaik	SOET
19	Mr. Jugol kishor Behera	SOET
20	Mr. Manas Ranjan Sahoo	SOET
21	Mr. Bulu Nahak	SOET
22	Mrs. Prajna paramita Debata	SOET

23	Mr. Sudeep Kumar Singh	SOET
24	Mrs. G. Sridev	SOET
25	Mr. V.Khageswar	SOET
26	Mr. Karthik Babu NB	SOET
27	Mrs. Debashree Debadatta Behera	SOET
28	Dr. Ramesh Chandra Mohanty	SOET
29	Mr. Manas Ranjan Padhi	SOET



Dr. Prasanta Ku. Mohanty
Dean Academic



Prof. KVD Prakash
Dean - IIE & HRD